



QUICK START GUIDE



COMPONENTS LIST

Xpress Flex device (L-XF011)

Dipper spoon w/ paddle handle (#2235)

Pipet (#4030)

Cap for dipping vial (3) (#6825)

Counter mat (#6849)

5 mL Syringe (3) (#6858)

Test strip clips (3) (#9001)

Test strip loader (#9002)

Water sample dipping vials (3) (#9003)

Iron Prep reagent (R-9103)

Phosphate Prep reagent (R-9112-C)

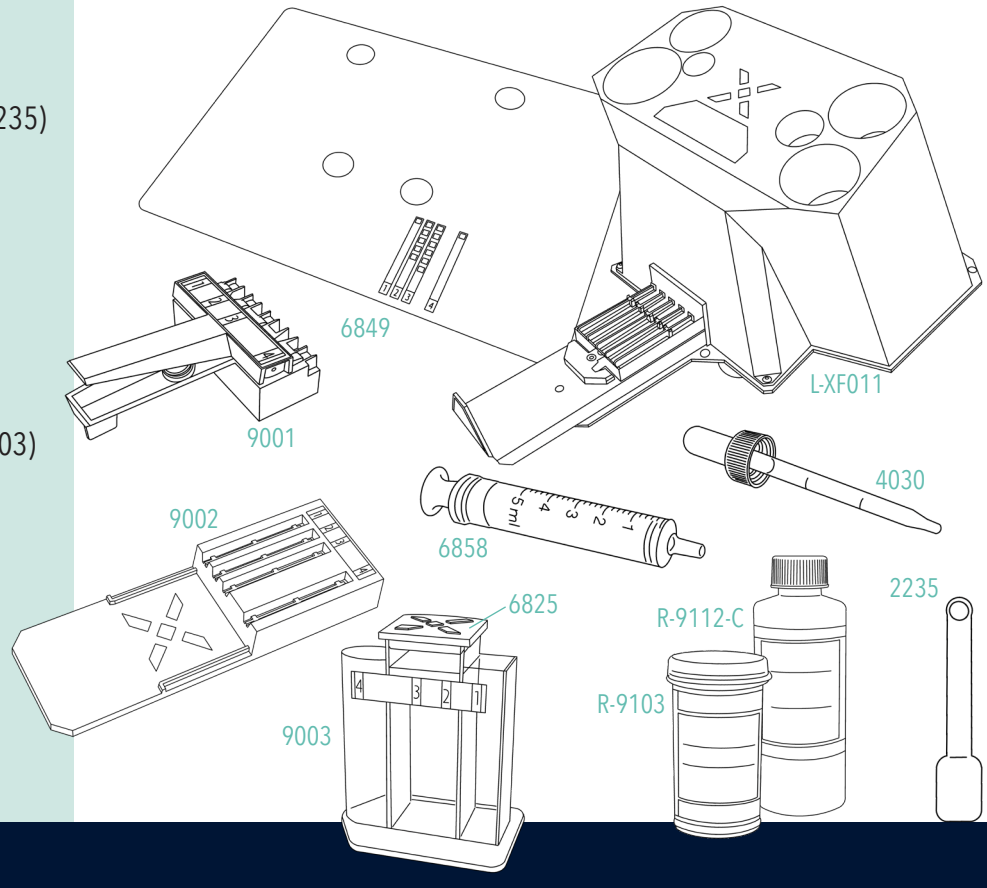
Flex Strips:

Flex 1 (S-1361)

Flex 2 (S-1362)

Flex 3 (S-1363)

Flex 4 (S-1364)



QUICK START INSTRUCTIONS

1. Unpack components from the box (see components list to the left).
2. You will find four perforated holes on the counter mat. These align with the suction cups on the bottom of the Xpress Flex device. Pop out the excess material and place the mat on the counter.
3. Place Xpress Flex device on the counter mat aligning suction cups. Press down on device.
4. Place Flex Strips and prep reagents in designated holders on top of the Xpress Flex device.
5. Go to **retail.sureTREAT.com**. If you already have a *sureTREAT* account, please log in and proceed to step 6. If you do not have a *sureTREAT* account, please see the attached instructions to create one.
6. After logging into **retail.sureTREAT.com**, download the XFConnect software. You can find this by choosing **Support** on the bottom navigation bar and then selecting **Download XFConnect**. Run the **XF Connect Installer**.
7. Ensure that the XFConnect software is running. Connect the USB cord from the Xpress Flex device to your computer.
8. Now that your system is set up, please watch this short video to learn about the Xpress Flex testing process:
[taylortechnologies.com/en/content/xpress-flex-support](https://www.taylortechnologies.com/en/content/xpress-flex-support)
9. You are ready to start Flexing! Thank you for trusting Taylor Technologies with your testing needs.

Your Xpress Flex device will be automatically registered for warranty when you perform your first water test.

Contact us at www.TaylorTechnologies.com or call 800-TEST KIT (837-8548) if you have any questions or feedback.

1 XPRESS FLEX INSTRUCTIONS

Thank you for choosing Xpress Flex, the next evolution of in-store water testing.

Xpress Flex is a cutting-edge testing system from the most trusted name in water testing: Taylor Technologies.

The Xpress Flex testing system consists of several components:

- Xpress Flex device
- Flex Strips
- Test prep reagents for iron and phosphate
- Water sample vials (3)
- Test Strip Loader
- Test Strip Clips (3)
- 5 mL syringe (3)
- Pipet (use with R-9112-C prep reagent)

At the core of the testing system is the Xpress Flex device. This is an advanced test strip reader that utilizes sophisticated technology to provide high-quality test results.

Xpress Flex strips are specifically engineered for use with the Xpress Flex device.

There are four test strips that can be used with Xpress Flex:

Flex 1 (S-1361) – 50 count: tests iron (use with R-9103 prep reagent)

Flex 2 (S-1362) – 50 count: tests salt, borate, and copper

Flex 3 (S-1363) – 100 count: tests free chlorine, total chlorine/total bromine, pH, total alkalinity,
total hardness, and cyanuric acid

Flex 4 (S-1364) – 50 count: tests phosphate (use with R-9112-C prep reagent)

2 Xpress Flex gives you the freedom to use only the strips you need. You can run any combination of strips, depending on the results you are targeting. For example, iron may not be a common concern in your area, so the Flex 1 strip would mostly be used to troubleshoot.

Next, let's review performing a water test with Xpress Flex. This testing process was designed with you, the tester, in mind.

Xpress Flex testing is performed at retail.sureTREAT.com

Sample prep:

- 1) Rinse water sample dipping vial with water to be tested.
- 2) Pour your sample water into the center chamber (fill to the top) of the water sample dipping vial.
- 3) If you are performing iron and/or phosphate testing, prep reagents are used with both tests.
The prep reagents ensure the highest level of accuracy for these tests.

Pro tip: Add the prep reagents to the empty chambers so that the addition of the water helps mix the sample.

- a. For Iron Prep, add one level scoop of R-9103 to chamber 1.
 - b. For Phosphate Prep, use pipet to add 0.5 mL of R-9112-C to chamber 4.
 - c. Use the syringe to measure out the 5 mL of sample water from the center chamber and add to the iron chamber. Repeat for the phosphate chamber.
- 3) Cap the center chamber and swirl to mix prep reagents.

3

The Test Strip Clip and Test Strip Loader are color-coded and labeled to match with corresponding strips to ensure proper readings.

The strip loader makes adding strips simple, and it ensures the strips are aligned for accuracy.

- Test:**
- 1) Place the desired strip(s) onto the appropriate slots on the strip loader and use the strip clip to pick them up.
 - 2) Select "Start Test" in the *sureTREAT* software. *sureTREAT* will provide timers on the screen, as well as audio cues if you have speakers.
 - 3) Dip the test strips into the vial for 2 seconds noting the correct orientation of test strips to the vial, remove, and place the strip clip onto the shuttle. Press the shuttle into the device.
 - 4) After one minute of testing, your results are ready.

Pro Tip: If you have multiple samples to be tested, this is great time to start the process for your next test.

Pro Tips for handling test strips:

- Be sure you have dry hands before opening the test strip bottle.
- Always handle strips from the bottom to avoid contact with the test pads.
- Keep lid securely closed after removing a strip to prevent moisture from entering the bottle.

You will notice that the Flex 2 strip is packaged in an individually foil-wrapped sleeve. This packaging helps protect the strip from sunlight which can degrade the salt test pad.

- 5) Empty and rinse water sample dipping vial after each test.

Pro Tip: For best results, pour used sample water out of the vial by holding the vial horizontally versus vertically. The iron and phosphate test prep reagents can cause interference if they enter and contaminate the center chamber.

4

Thank you for choosing Xpress Flex for your in-store testing needs.

We value the trust you have placed in Taylor, and we trust that Xpress Flex will help you confidently meet the needs of your customers.

Now, let's start Flexing!

Taylor's technical support is available for additional questions, feedback, and product support. You can reach us at www.TaylorXpressFlex.com or by calling 1-877-TEST KIT (837-8548).



#5010

rev. A
04/05/21